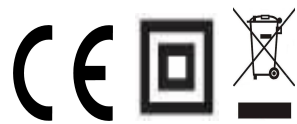
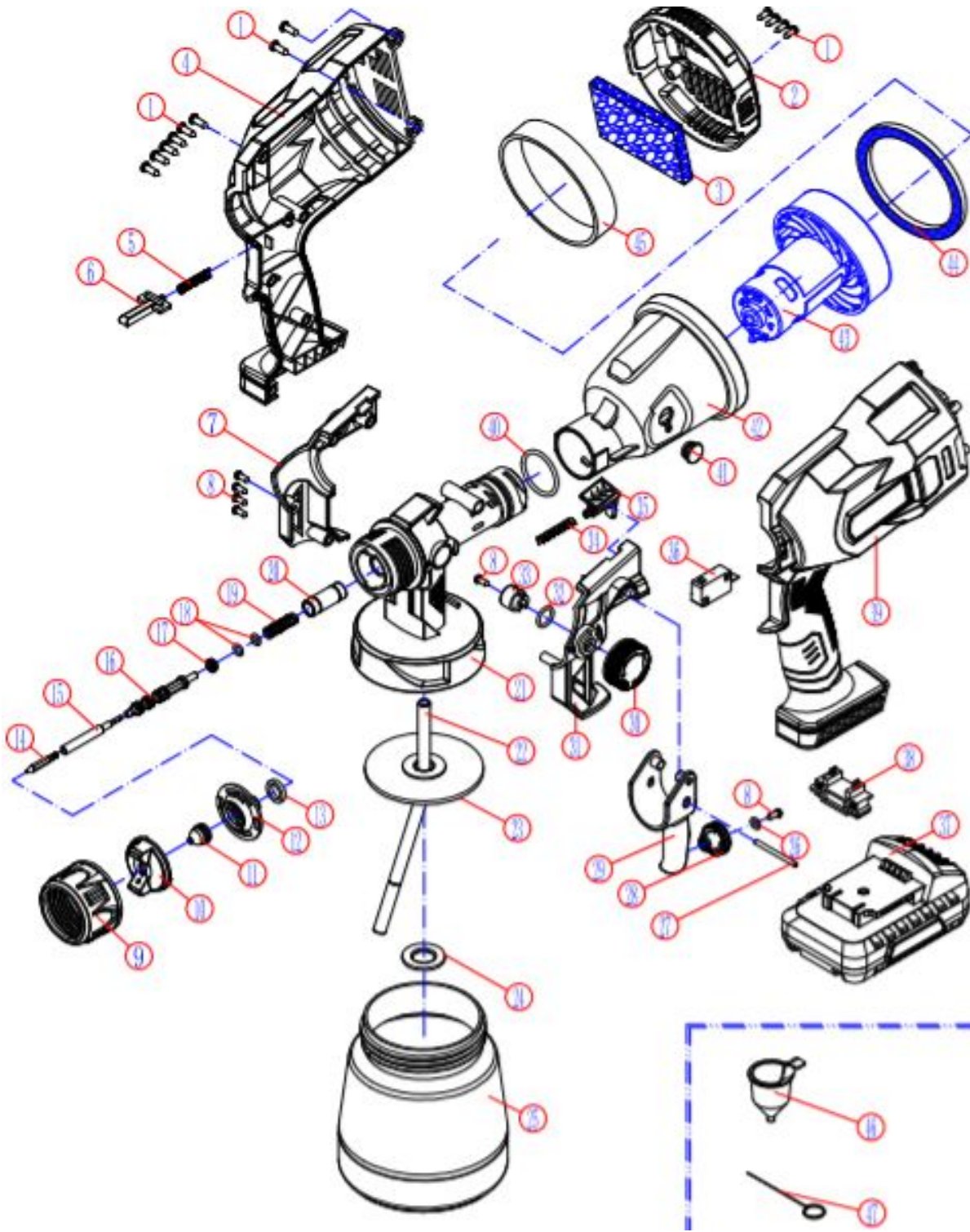


Microbuster PRO PORTABLE SPRAY GUN



INSTRUCTIONS FOR HVLP ELECTRIC SPRAY GUN(model ESSE)

Before using the gun, read this manual thoroughly.
Any improper use can cause damage.



1 Explosive view:

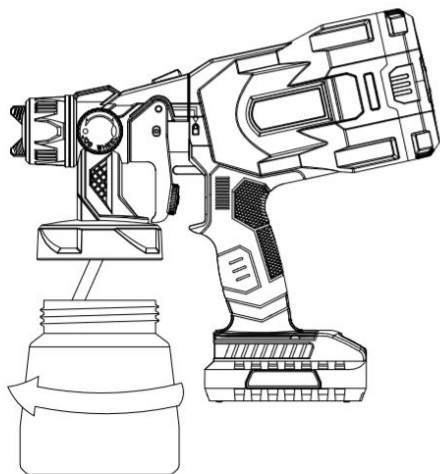
1	ST2.9*10SCRE	17	bowl seals	33	Atomization circle
2	Rear cover	18	O-ring	34	Vent spring
3	Cotton filter	19	22 Needle spring	35	Lock catch
4	Right cover	20	Needle set	36	microswitch
5	Switch plunger spring	21	GUN	37	Battery pack
6	Switch plunger	22	Pipette	38	Battery pack pin
7	Right side cover	23	Cup-ring	39	Left cover
8	ST3.5*10SCRE	24	Suction pipe splint	40	Gun-ring
9	Big nut	25	Cup	41	Stopper
10	Spray ball	26	Φ3 flat gasket	42	Motor cover
11	Spray nozzle	27	Short pin	43	550 motor
12	Barge board	28	Adjusting knob	44	Damping pad
13	Nozzle seal	29	trigger	45	Damping ring
14	Needle	30	Spray a knob	46	funnel
15	Needle insert	31	Left side cover	47	Pin
16	Needle seat	32	O-ring		

II Technical parameters:

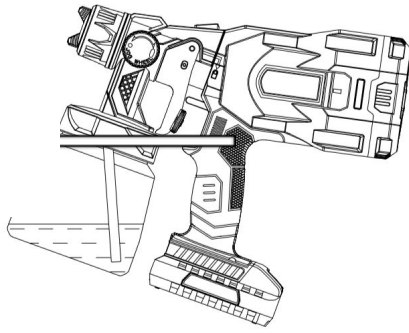
MICROBUSTER PRO	
Rated power:120W	Model: ESSE
Rated votage:18-20V	Battery capacity: 2000mAh
Frequency:50/60HZ	Spraying distance: 200-250mm
Rated speed:30000RPM	Width: 200-300mm
Air flow:160L/MIN	Viscosity: 8-12s
Content flow:100-200ml/min	Material pot capacity: 800ml

IV How to use:

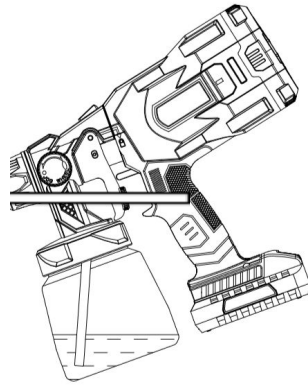
Unscrew the container from the spray gun.



Adjust the suction tube.

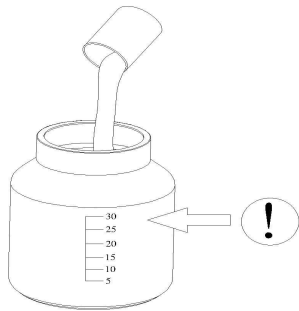


If sprayed in an upward direction, the angled end of the suction tube should be pointing toward the rear of the gun.

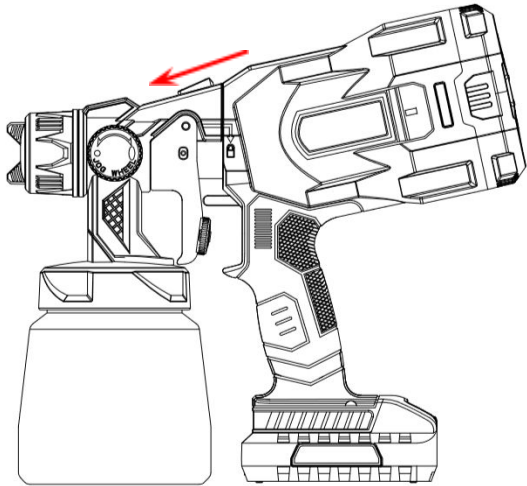


If spray in a downward direction, the angled end of the suction tube should be pointing towards the front of the gun.

Pour material into container, make sure not to exceed 800ml

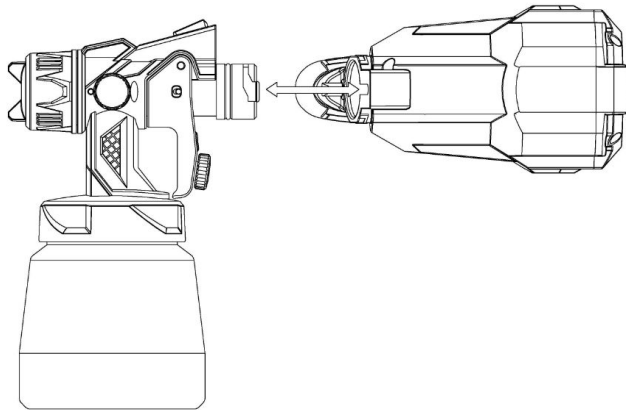


- 4) Remove the motor
 - a) Hold the gun with your hand and press the latch in the direction of the arrow.
 - b) At the same time hold the motor handle with your hand and rotate it counterclockwise 90°.
 - c) Pull out to remove the motor from the gun.



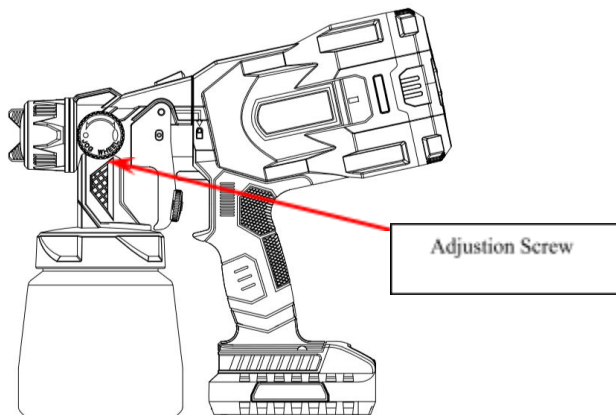
5) Connect gun body with motor

- a) Hold the gun with your hand to align the slot on the gun with the slot on the motor and insert it (as shown in the figure).
- b) Hold the motor handle with your hand, rotate the right hand clockwise 90°.
- c) When the gun and host are parallel, it is locked.



6) Adjust the needle adjusting screw to meet your requirement.

- a) Adjust the screw to left to decrease volume.
- b) Adjust the screw to right to increase volume.

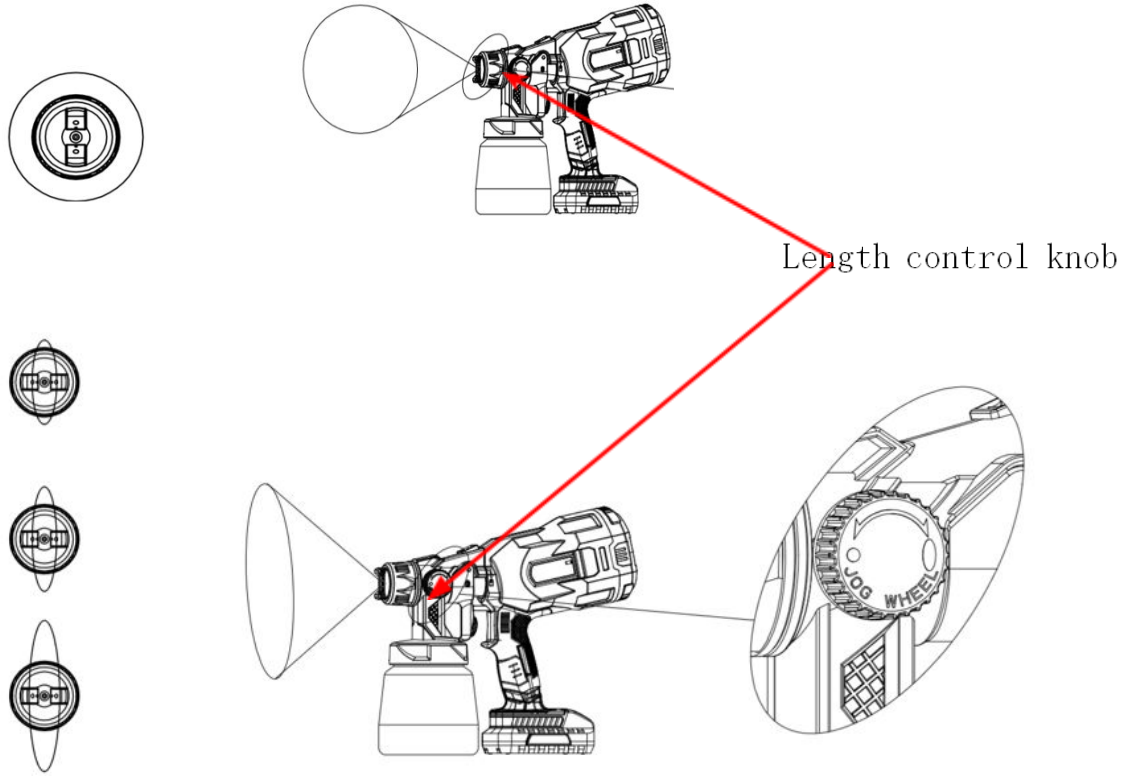


7) Spray length adjustment: Turn this knob to adjust the round shape from vertical to horizontal.

Adjust the required length according to the spraying environment, reduce waste and save material.

- a) The counterclockwise rotation shortens the length, and when it rotates to the stop position, it is sprayed with the largest circle.

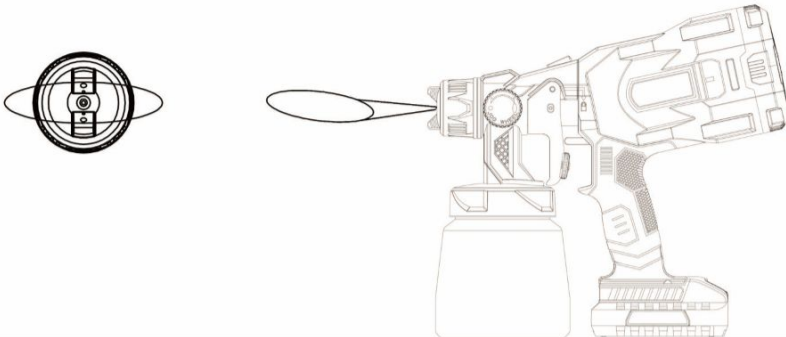
b) Adjust the screw to the right to increase volume.



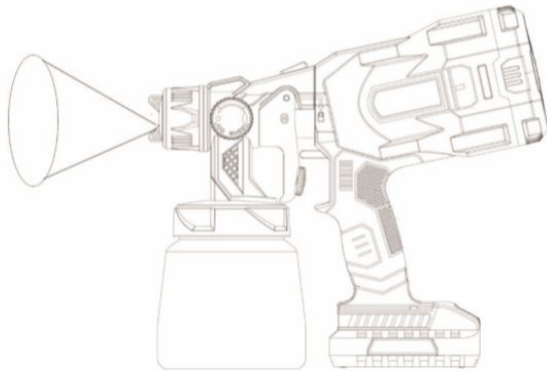
8) Adjusting spray patterns

- a) The gun spray patterns can be changed from a horizontal oval fan pattern to a round
- b) detailed pattern to a vertical fan pattern by adjusting the nozzle.

VERTICAL



HORIZONTAL

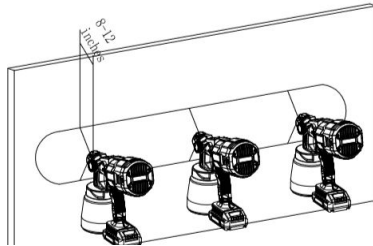


9) Open the power switch, pull trigger, the contents will spray from the nozzle.

V How To Spray Properly:
EVEN COAT THROUGHOUT

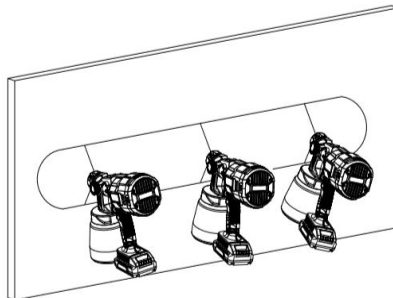
Correct:

Keep the stroke smooth and at even speed.



Incorrect:

Do not flex your wrist while spraying.

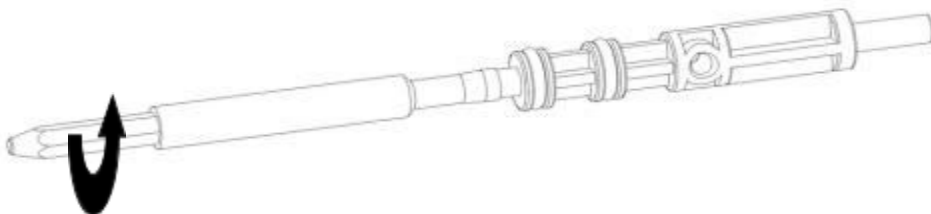


VI Replace nozzle and Needle:

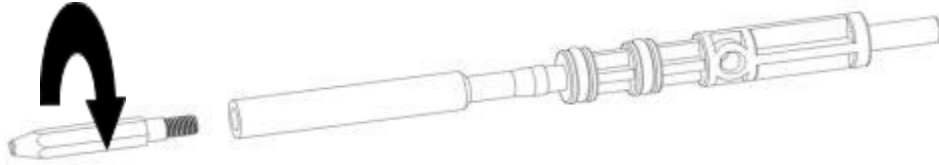
When disassembling the nozzle, please pull the
remove the nozzle.

As shown in the figure, rotate to remove the

trigger first, then press and
needle



b) As shown in the figure, rotate to set up the needle



VII Troubleshooting:

Problem Cause Solution

Problem	Cause	Solution
A. little or no material flow	<ol style="list-style-type: none"> 1. nozzle clogged 2. suction tube clogged 3. material volume setting turn too far to the right 4. suction tube loose 5. material is too thick 6. inconsistent path 7. container is loose 	<ol style="list-style-type: none"> 1. clean 2. clean 3. turn to the left 4. insert 5. check viscosity 6. strain 7. tighten the container
B. material leaking	<ol style="list-style-type: none"> 1. nozzle loose 2. nozzle worn 3. nozzle seal worn 4. material build-up on spray pattern dial and nozzle 	<ol style="list-style-type: none"> 1. tighten 2. replace 3. replace 4. clean
C. atomization is too coarse	<ol style="list-style-type: none"> 1. viscosity of material too high 2. material volume too large 3. nozzle clogged 4. too little pressure build-up in container 	<ol style="list-style-type: none"> 1. thin 2. turn to the right 3. clean 4. tighten container
D. spray jet pulsates	<ol style="list-style-type: none"> 1. material in container running out. 2. material is too thick 	<ol style="list-style-type: none"> 1. refill 2. check viscosity
E. pattern runs or sags	<ol style="list-style-type: none"> 1. applying too much material 	<ol style="list-style-type: none"> 1. adjust material flow or increase movement of spray gun
F. Too much over-spray	<ol style="list-style-type: none"> 1. gun too far from spray object 2. too much material applied 	<ol style="list-style-type: none"> 1. reduce distance 2. turn material volume setting to right
G. pattern is very light and splotchy	<ol style="list-style-type: none"> 1. moving the spray gun too fast 	<ol style="list-style-type: none"> 1. adjust material flow or decrease movement of spray gun
H. large cloud of material	<ol style="list-style-type: none"> 1. gun too close to surface 	<ol style="list-style-type: none"> 1. move gun away from surface and reduce flow

Disclaimer: Not intended to be used with flammable solutions such as **alcohol based products**. **Do not** use with **bleach products**. Never spray directly into eyes or face.